

This page has been intentionally left blank

# Weatherproof LED Exit Enclosure

## Installation & Maintenance Instruction Leaflet

To be read in conjunction with the Instruction Sheet of the Exit Sign supplied with the Weatherproof Enclosure.



Designed in Australia in accordance with AS/NZS2293.3

**Victoria (Head Office & Manufacturing)**

195 Chesterville Rd  
Moorabbin VIC 3189  
Phone: +61 3 9559 2700  
Fax: +61 3 9559 2799

**News South Wales**

Phone: +61 2 8805 6400  
Fax: +61 2 8805 6444

**Queensland**

Phone: +61 7 3442 9700  
Fax: +61 7 3442 9777

**South Australia/Northern Territory**

Phone: +61 8 8301 8800  
Fax: +61 8 8351 8286

**Western Australia**

Phone: +61 8 9248 3720  
Fax: +61 8 9248 3725

**New Zealand**

Phone: +64 800 548 448

### Models:

EWELLED-LI	Economy Lithium Weatherproof LED Exit
CWELED	LP Weatherproof Exit using the CCFLLED (including testing options/variants)
LWELED	L10 Weatherproof Exit using the LCFLED (including testing options/variants)
CWEPRO	LP Weatherproof Exit using the CCFPRO (including testing options/variants)
LWEPRO	L10 Weatherproof Exit using the LCFPRO (including testing options/variants)
TWELED24V	24V DC Temporary Lighting Weatherproof Exit using the TCFLED24V
DY**-CP-**	LP or L10 Weatherproof Dynamic Green/Red Exit (including testing options/variants)
TAMPERPROOF	All variants use of four (4) T-25 security screws to install the cover
-A	Indicates an Acrylic Diffuser with a resulting impact rating of IK04
-LYN	Indicates Lanyard fitting

### Spare Parts:

2710140	Universal WP Exit Enclosure, PC, 24m
2710145	Universal WP Exit Enclosure, Acrylic, 24m

Refer to the data sheet of the EXIT sign supplied with the WP EXIT Enclosure for details regarding spare parts.

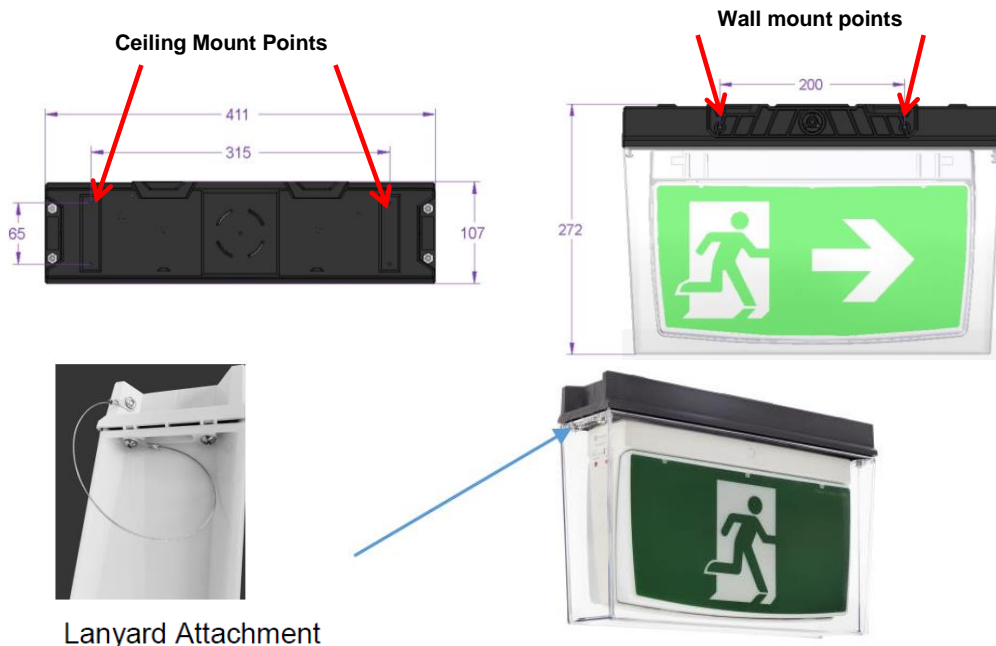
### Important:

It is illegal for anyone, except for a licensed electrician to install or maintain this product. Before installation, ensure that the electricity supply has been switched off and isolated. Installation must be carried out in accordance with the relevant Australian and International Standards.

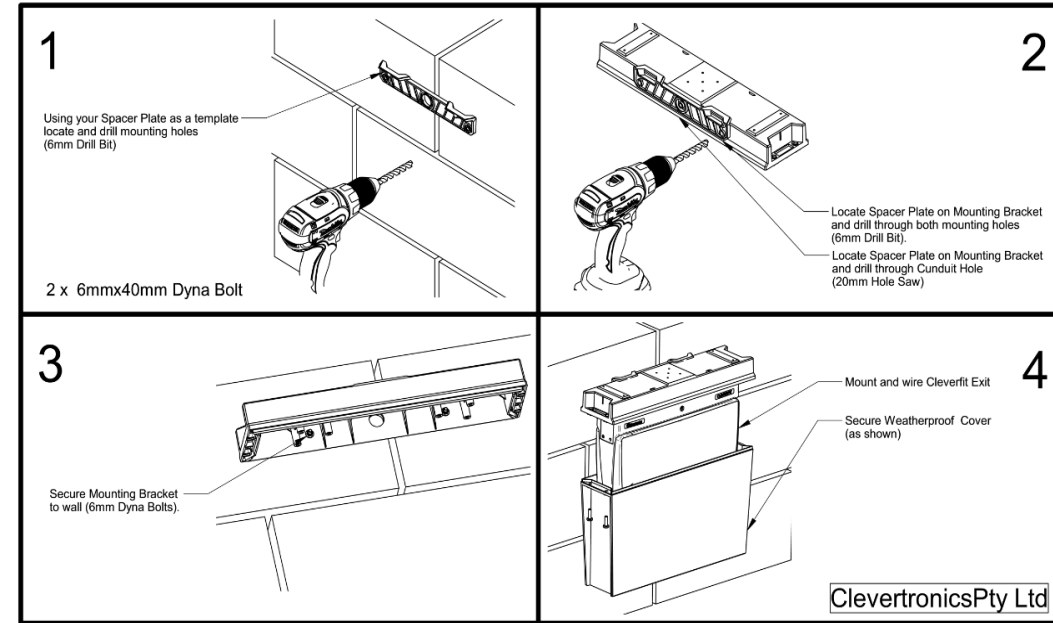
## Installation

The Weatherproof LED Exit Enclosure can be installed either Ceiling or Wall Mounted and can be mounted perpendicular to a wall using the (optional) Cantilever Bracket. The Weatherproof Exit Sign uses a weatherproof enclosure to house a Cleverfit or Cleverfit PRO LED Exit. The Cleverfit and Cleverfit PRO Exit signs use a "slide connect bracket base" that is mounted inside the weatherproof enclosure and wired into position first. The main body can be installed once the base is wired or later to avoid damage during the construction phase. Please follow the steps below to install the Weatherproof Enclosure and Cleverfit or Cleverfit PRO Exit:

- Remove the clear cover from the Weatherproof Exit enclosure.
- Remove the Exit sign packaged with the Weatherproof enclosure and place it aside
- Determine if the enclosure is to be ceiling or wall mounted
- WALL MOUNT – refer to the image and instruction on the adjoining page (be sure to drill a 20mm hole for the cable entry)
- CEILING MOUNT
  - Drill a 20mm hole in the top of the bracket for the cable entry
  - Position the base in the mounting position.
  - Using the base as a guide, mark the holes for mounting and one for mains access. Then install the base using appropriate fixings (not supplied).
- After installation the base (wall or ceiling mount) disengage the exit body from the slide bracket.
- Position the Exit sign slide bracket onto the base of the Weatherproof Enclosure and fix the base of the EXIT sign to the base of the Weatherproof Enclosure using the screws provided. Refer to accompanying Exit Sign instruction sheet for more detail.
- Route and connect the 240VAC supply to the terminal block in the exit bracket.
- Engage the body into the slide connect bracket
- Install the clear cover. If fitting is Tamperproof, be sure to reinstall the security screws.
- Apply mains power and check that the Exit Sign is operational.



## Wall Mount installation instructions for the Weatherproof Enclosure



## Rated Emergency Lumen Output in accordance with AS2293.1 (refer to spacing tables for installation positions):

Refer to the Technical Label on product for Emergency Classification.

### Caution:

On many building sites, power circuits may be cut off in an uncontrolled and repetitive basis during construction. As a result, any Exit & Emergency Units, on these circuits, will have their batteries discharged or "cycled". The battery in this fitting has been selected to give excellent long life performance in a controlled AS2293 testing environment. Excessive battery cycling will reduce through-life performance and may lead to premature battery failure. Battery warranty claims, as a result of such abuse, are specifically EXCLUDED from Clevertronics warranty terms.

### Warranty:

For Product Warranty information and Terms and Conditions of Sales please refer to our website <http://clevertronics.com.au/terms-conditions-sale-australia-nz/>